



WIDE STILE EXIT DEVICES

THASE 8600/8800 Series have a full line of heavy-duty wide stile Panic and Fire-Rated Exit Hardware. These series present the perfect choice of durability, safety, elegant & aesthetics combination to meet security demand and access control needs of today.

RimExit Devices

8610S/8810S : Panic-Rated Rim Exit Device

8610F/8810F : Fire-Rated Rim Exit Device

*A most popular single-point
Lock for single exit use*



Certifications

UL/cUL Listed : UL listed as Panic Exit Hardware or 3-hour Fire Exit Hardware

ANSI Certified : Devices are ANSI A156.3 - 2014 Grade 1

Applications

- 8610S/8810S rim exit devices are used for all types of single and double doors with mullion. 8610F/8810F rim exit devices are used for UL listed fire labeled single doors up to 4' x 8' (1219mm x 2438mm) or 8' x 8' (2438mm x 2438mm) double doors with mullion.
- The Exit devices are available in the following finishes : US3, US4, US10, US10B, US26, US26D and US32D.

Specifications

Device Lengths ----- Short (36"): 33-5/32" (842mm), Long (48"): 45-1/8" (1146mm)

Door Widths ----- 36" - For 29" to 36" (736mm to 914mm) door size
48" - For 33" to 48" (838mm to 1219mm) door size

Minimum Stile Width -- 4-1/4" (107mm)

Latch Bolt ----- 3/4" (19mm) throw, deadlocking design

Strikes ----- 801 (panic), 802(fire)

Dogging Kit ----- Panic device - Hex key dogging (RD) standard
Fire device - No mechanical dogging (ND)

Dogging Options ----- Cylinder Dogging (CD)
Less Dogging (LD)

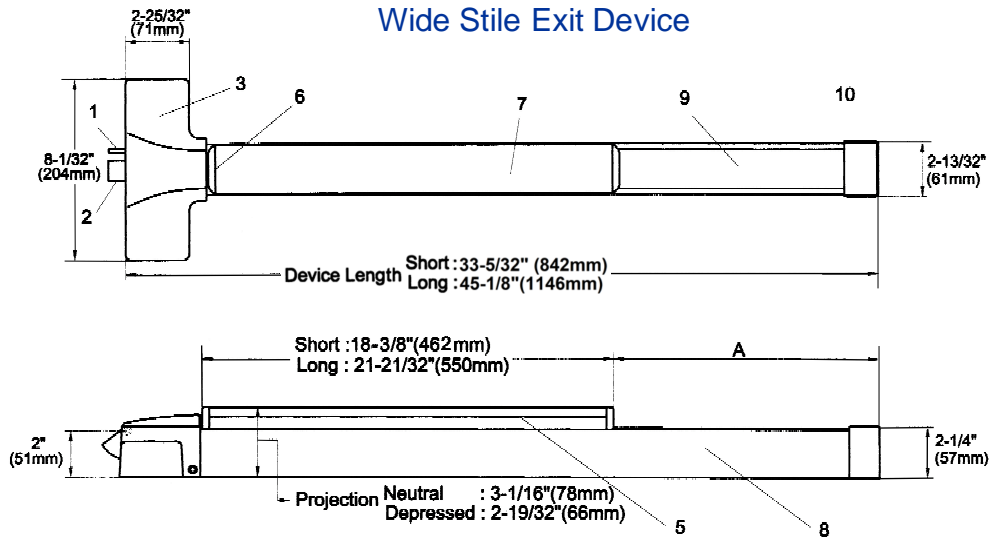
Mounting Fasteners --- Panic device - Machine screws furnished standard
Fire device - Sex nuts and bolts (SNB) supplied standard
SNB are required to use for wood doors, order SNB separately

Mounting Height ----- Device centerline from finished floor is 40" (1016mm) standard

Projection ----- Pushbar Neutral: 3-1/16" (78mm), Pushbar Depressed: 2-19/32" (66mm)

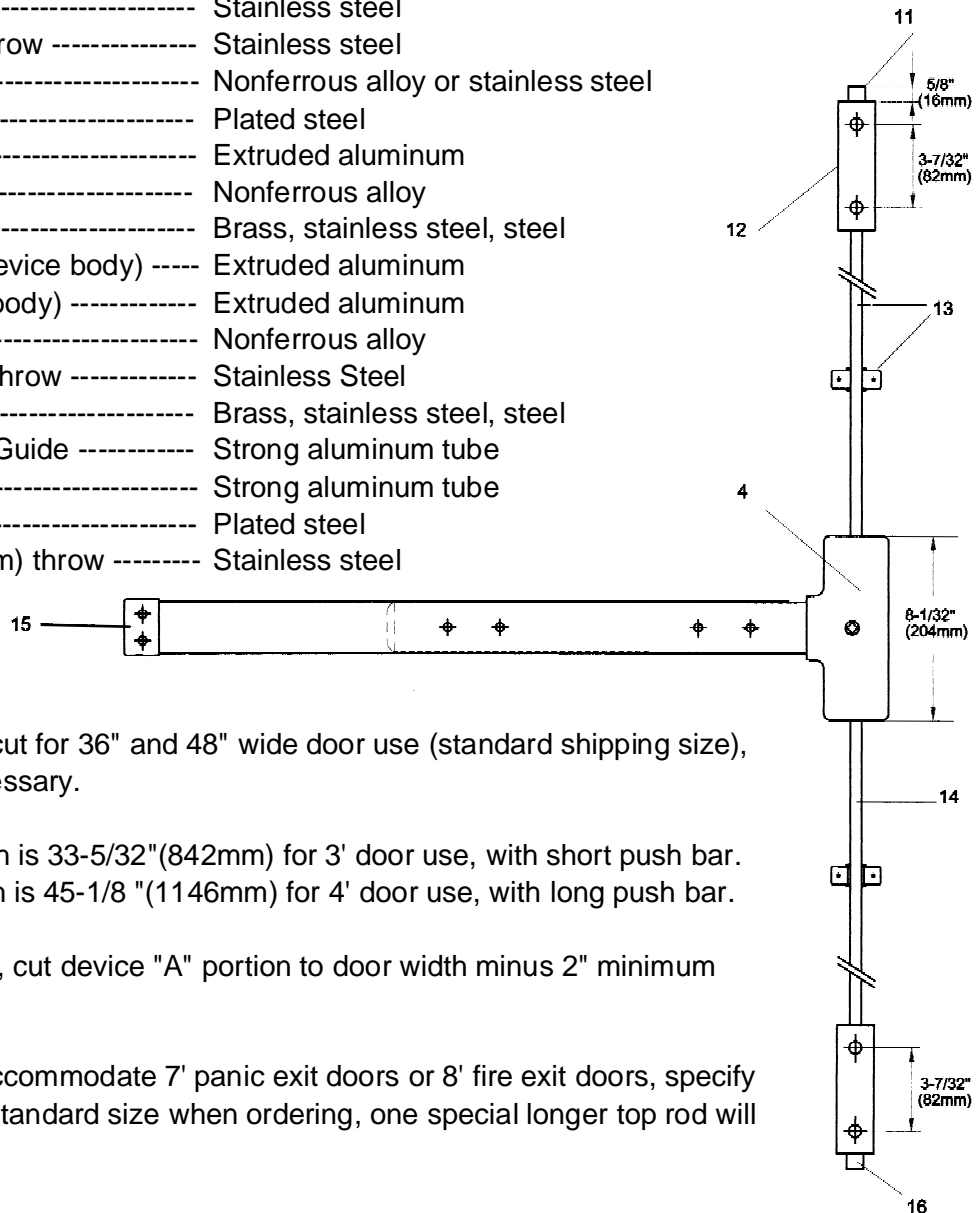
DIMENSIONS

Wide Stile Exit Device



Parts Material

- | | |
|---|-------------------------------------|
| 1. Auxiliary Guarded Latch ----- | Stainless steel |
| 2. Latch bolt, 3/4" (19mm) throw ----- | Stainless steel |
| 3. Chassis Cover ----- | Nonferrous alloy or stainless steel |
| 4. Chassis----- | Plated steel |
| 5. Push Bar ----- | Extruded aluminum |
| 6. Push Bar End Cap ----- | Nonferrous alloy |
| 7. Push Bar Trim ----- | Brass, stainless steel, steel |
| 8. Mechanism Housing (or device body) ----- | Extruded aluminum |
| 9. Dogging Plate (or device body) ----- | Extruded aluminum |
| 10. End Cap ----- | Nonferrous alloy |
| 11. Top Latch, 5/8" (16mm) throw ----- | Stainless Steel |
| 12. Latch Assembly Cover ----- | Brass, stainless steel, steel |
| 13. Top Vertical Rod & Rod Guide ----- | Strong aluminum tube |
| 14. Bottom Vertical Rod ----- | Strong aluminum tube |
| 15. End Cap Bracket ----- | Plated steel |
| 16. Bottom Latch, 5/8" (16mm) throw ----- | Stainless steel |



Device Length

The device lengths are precut for 36" and 48" wide door use (standard shipping size), no additional cutting is necessary.

Short 36" : Device length is $33-5/32"$ (842mm) for 3' door use, with short push bar.

Long 48" : Device length is $45-1/8"$ (1146mm) for 4' door use, with long push bar.

For narrow door installation, cut device "A" portion to door width minus 2" minimum to fit properly.

Our standard vertical rod accommodate 7' panic exit doors or 8' fire exit doors, specify door height if greater than standard size when ordering, one special longer top rod will be furnished.