



## NARROW STILE EXIT DEVICES

THASE 8500/8700 Series heavy-duty narrow stile Panic and Fire-Rated Exit Hardware are designed for using on contemporary glass doors in all public buildings, resort hotels, shopping stores, and all types of aluminum doors or aesthetic requirements.

### Narrow Design Rim Exit Devices

**8510S/8710S** : Narrow Design Panic-Rated Rim Exit Device

**8510F/8710F** : Narrow Design Fire-Rate Rim Exit Device



### Certifications

**UL/cUL Listed** : UL listed as panic Exit Hardware, or 3-hour Fire Exit Hardware

**ANSI Certified** : Devices are ANSI 156.3 - 2014 Grade 1

### Applications

- 8510S/8710S narrow design rim exit devices are used for the aluminum frame full glass doors or narrow stile aluminum doors applications. 8510F/8710F narrow design rim exit devices are used for the aesthetics requirements of wide stile single doors up to 4' x 8' (1219mm x 2438mm) or 8' x 8' (2438mm x 2438mm) double metal or wood doors with mullion.
- The exit device are available in the following finishes : US3, US4, US10, US10B, US26, US26D and US32D.

### Specifications

**Device Lengths** ----- Short (36"): 34-11/32" (872mm), Long (48"): 46-5/16" (1176mm)

**Door Widths** ----- 36" - For 29" to 36" (736mm to 914mm) door size  
48" - For 33" to 48" (838mm to 1219mm) door size

**Minimum Stile Width** --2-19/32" (66mm)

**Latch Bolt** ----- 3/4" (19mm) throw, deadlocking design

**Strikes** ----- 801 (panic), 802 (fire)

**Dogging Kit** ----- Panic device - Hex key dogging (RD) standard  
Fire device - No mechanical dogging (ND)

**Dogging Options** ----- Cylinder Dogging (CD)  
Less Dogging (LD)

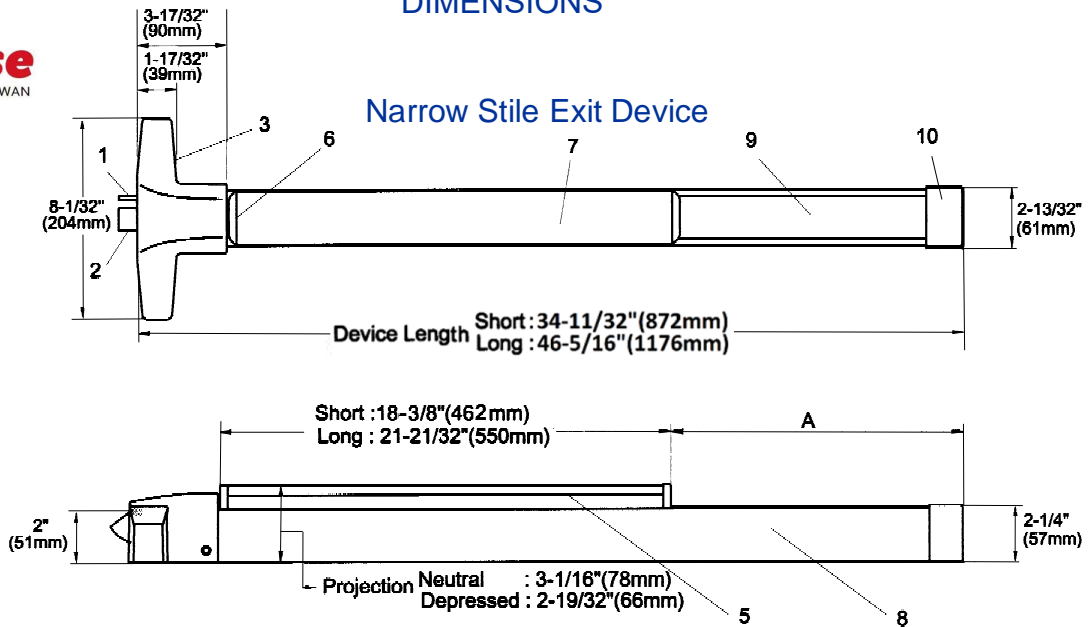
**Mounting Fasteners** ---Panic Device - Machine Screws furnished standard  
Optional SNB are available for device, order SNB separately.  
Fire device - Sex nuts and bolts (SNB) supplied standard

**Mounting Height** ----- Device centerline from finished floor is 40" (1016mm) standard

**Projection** ----- Pushbar Neutral: 3-1/16" (78mm), Pushbar Depressed: 2-19/32" (66mm)

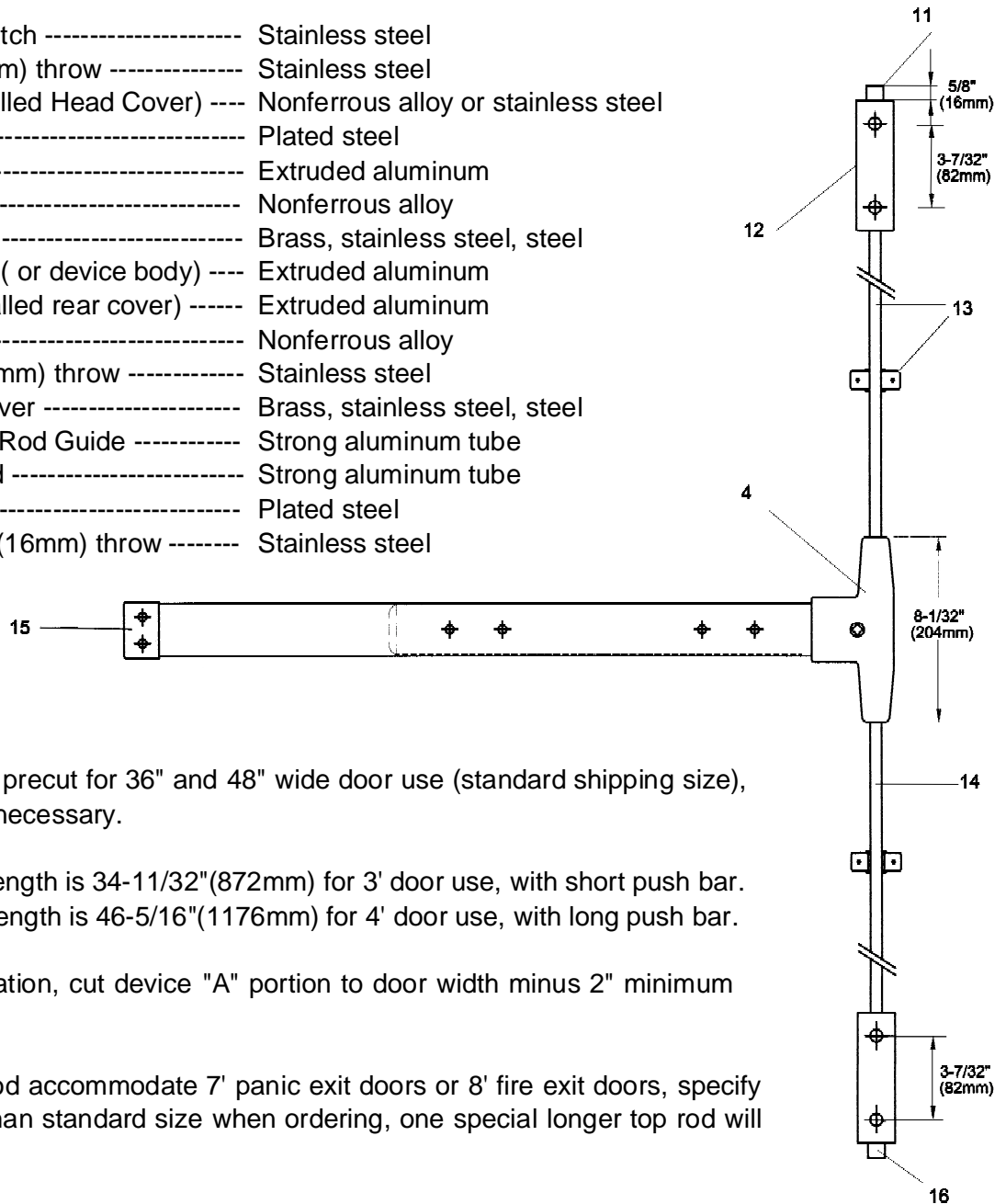


## DIMENSIONS



### Parts Material

- |  |                                     |
|--|-------------------------------------|
| 1. Auxiliary Guarded Latch -----               | Stainless steel                     |
| 2. Latch bolt, 3/4" (19mm) throw -----         | Stainless steel                     |
| 3. Chassis Cover (or called Head Cover) ----   | Nonferrous alloy or stainless steel |
| 4. Chassis -----                               | Plated steel                        |
| 5. Push Bar -----                              | Extruded aluminum                   |
| 6. Push Bar End Cap -----                      | Nonferrous alloy                    |
| 7. Push Bar Trim -----                         | Brass, stainless steel, steel       |
| 8. Mechanism Housing ( or device body) ----    | Extruded aluminum                   |
| 9. Dogging Plate ( or called rear cover) ----- | Extruded aluminum                   |
| 10. End Cap -----                              | Nonferrous alloy                    |
| 11. Top Latch, 5.8" (16mm) throw -----         | Stainless steel                     |
| 12. Latch Assemble Cover -----                 | Brass, stainless steel, steel       |
| 13. Top Vertical Rod & Rod Guide -----         | Strong aluminum tube                |
| 14. Bottom Vertical Rod -----                  | Strong aluminum tube                |
| 15. End Cap Bracket -----                      | Plated steel                        |
| 16. Bottom Latch, 5/8" (16mm) throw -----      | Stainless steel                     |



### Device Length

The device lengths are precut for 36" and 48" wide door use (standard shipping size), no additional cutting is necessary.

Short 36" : Device length is 34-11/32"(872mm) for 3' door use, with short push bar.

Long 48" : Device length is 46-5/16"(1176mm) for 4' door use, with long push bar.

For narrow door installation, cut device "A" portion to door width minus 2" minimum to fit properly.

Our standard vertical rod accommodate 7' panic exit doors or 8' fire exit doors, specify door height if greater than standard size when ordering, one special longer top rod will be furnished.